

Installation Instructions D-Raintank

General Assembly Instructions

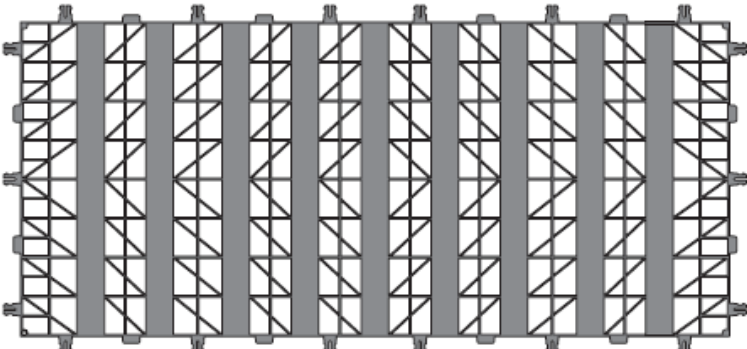
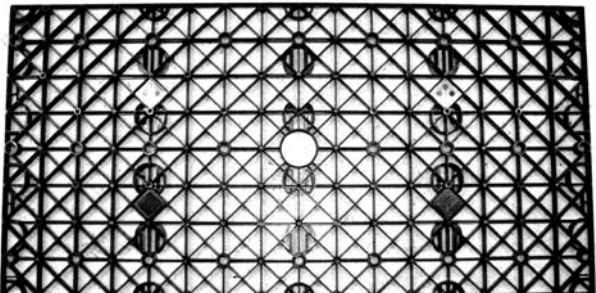
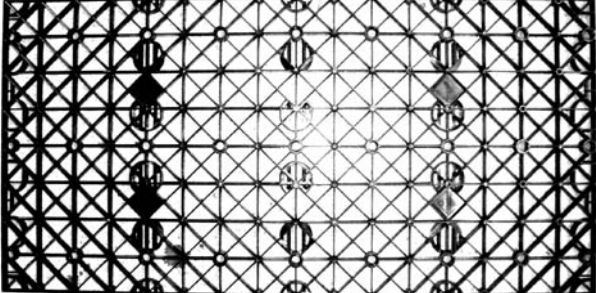
For the assembly of a D-Raintank you need:

- 6 Pieces Side Pavers
- 5 Pieces Head Pavers or. 9 pieces Head Pavers, respectively
- 1 Plastic Hammer, weight ~1 KG, for the installation

Pay attention that all snap-in locking devices are locked in completely! Each single component must be locked in with a plastic hammer. A stable and non-resilient working table makes the assembly work easier.

Take care that the locking devices do not break!

Standard Equipment for the Installation of D-Raintank

	<p>5 Head Pavers</p>
	<p>3 Side Pavers with hole in the middle</p>
	<p>3 Side Pavers without a hole</p>

Picture 1: 6 Pieces Side Pavers, 5 Head Pavers

Operating Sequence: Installation of the Head Pavers onto the side pavers



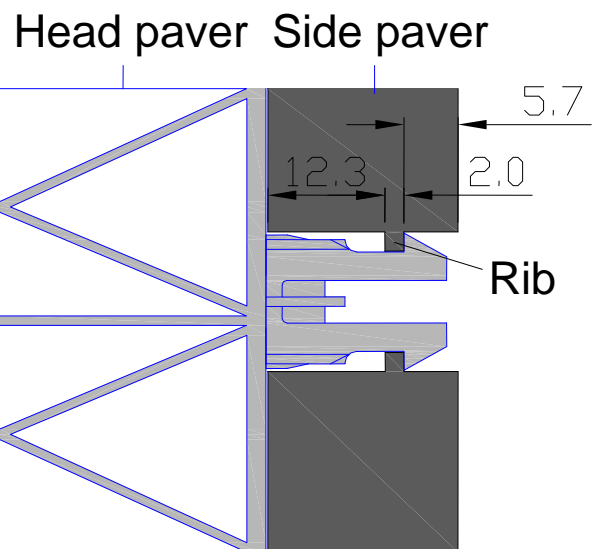
Picture 2: The single side paver prior to installation

Attention: The assembly of the head pavers is only possible if the side pavers are placed on the table as shown on picture 2 A. If the side pavers are positioned correctly the date stamp cannot be read.

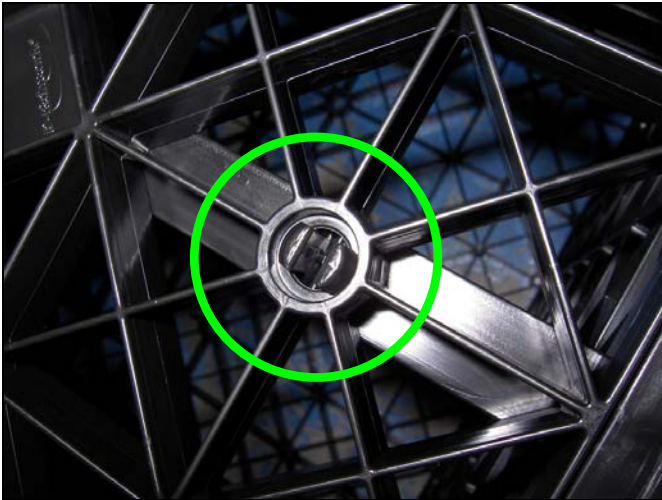
Picture 2 A: Shows the reinforcement of the side pavers, flush with the surface of the side paver. Side pavers and head pavers can only be connected that way.

Picture 2 B: The snap-in hole. The rib in the side paver is not centric. The assembly of the head- and the side pavers must be done in a way that the bigger gap to this rib is on the head paver side.

Picture 2 A



Picture 2 B



Picture 3: Snapped in correctly



Picture 4: Snapped in wrongly, the head- and side pavers cannot be assembled.

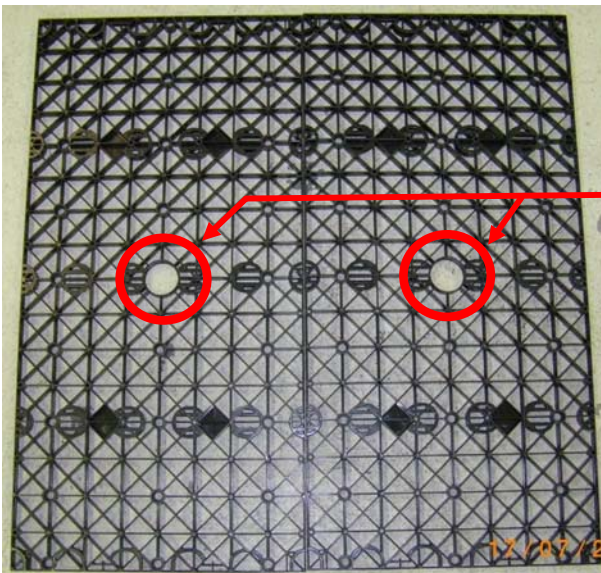


Bild 5

ATTENTION!

It is absolutely necessary that the first head pavers are snapped onto side pavers with a hole, only!!!

The snap-in devices of the head pavers are inserted into the holes of the side paver and locked in place using a hammer.

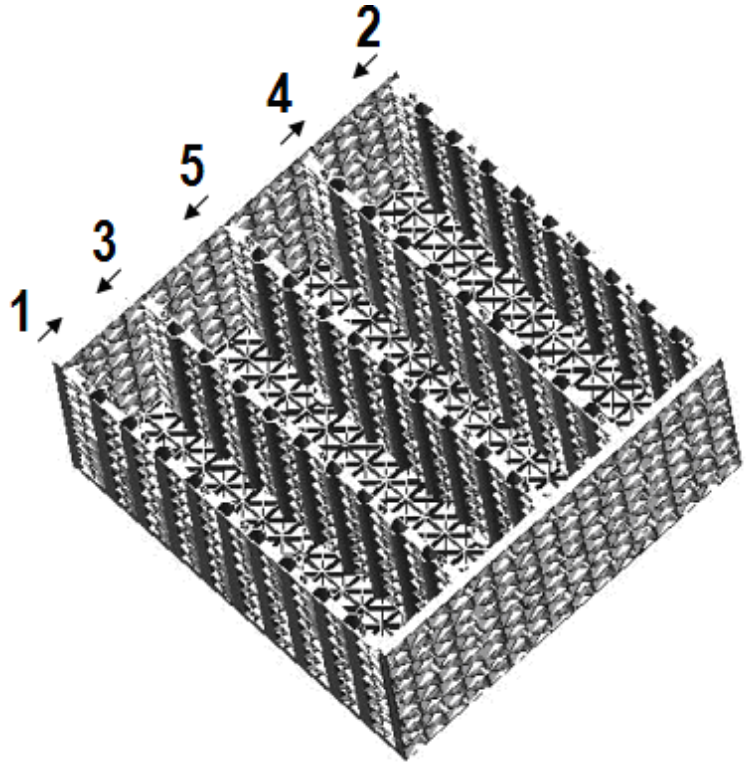
Picture 6: Installation of the head pavers onto the side paver. Observe the direction of the coved reinforcement ribs.

The head pavers are locked in place using a plastic hammer.

Do not hammer on the snap-in devices.

Both side pavers have a total of 9 rows of snap-in holes with 6 holes in each row. It is counted from outside to inside and the last row is generally equipped with a head plate with the coved reinforcement ribs to the inside.

For normal D-Raintanks with 5 head pavers only, every second row of snap-in-holes is not equipped with a head paver!



Picture 6: Installation of the second head plate.

For tanks with only 5 head pavers every second row of snap in holes is not equipped with a head paver!

Picture 7: Installation of the upper side pavers:

- 1 Side paver with a hole
- 1 Side paver without a hole

Please observe the snap-in devices of the head plates when installing! These must be placed under the holes.

Lock the side pavers into place with a plastic hammer until all snap-in devices are locked in!



**Pictures 8a and 8b:
Installation of the side pavers on the sides:**

Use side pavers without a hole, exclusively!!!

The 1st side paver must be installed from the side to prevent the snap-in devices to brake.

Wrong!!!



Right!!!

To install the 2nd side paver the tank element may be turned onto the side.



Picture 9: „Up“ Label

Important!!!

To prevent laying mistakes an “Up” label must be labelled onto the upper edge of the first head plate.

These labels can be made available to „external“ personnel.



**Picture 10:
Completed tank element**



It is indispensable that the D-Raintanks are generally assembled in heated warehouses. Prior to assembly, all components for the D-Raintank must be stored at a temperature of about 20°C ± 5°C for at least 24 hours.

In case of frost (minus degrees) the assembly is not permitted!!!

Picture 11: Complete pallet containing 6 D-Raintanks



Picture 12. A product label must be stuck on the long and the short side of each pallet. The product label must contain the name, personnel number and date



The D-Raintank pallets are equipped with an edge protection on the upper side. 1 pallet label each is affixed to the pallet using a cable connector as shown on the photo. The whole pallet is strapped 3-fold with a non-metallic strap.